

INSTALLATION INSTRUCTION: Luminext Outdoor Lamp Controller OLC400 Zhaga Wirepas



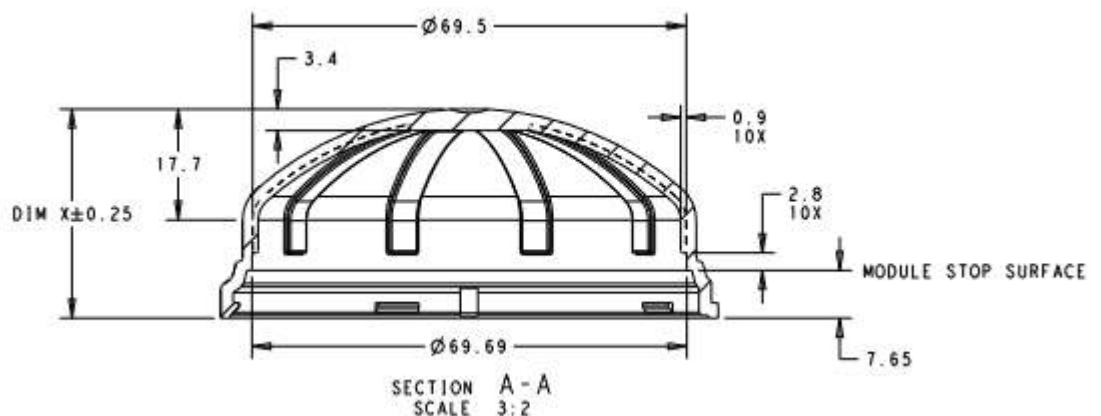
The Luminext OLC400 Zhaga Wirepas is a product in the Luminext program for dynamic dimmable street lighting with remote management. The OLC400 Zhaga Wirepas is suitable for fixtures with a Zhaga connector and D4i driver. The OLC400 Zhaga Wirepas controllers automatically forms a wireless-sensor-and-control network that is self-organizing and self-synchronizing in combination with other OLC400's and a RF4 gateway.

Safety



- Installation and maintenance should be performed by qualified personnel only.
- Adhere strictly to this installation instruction to avoid danger and damage to the OLC300S.
- Do not use the OLC400 Zhaga Wirepas if it is damaged.
- The electrical installation must be in conformance with the national legislation and relevant standards.
- The mains connection of the OLC300S must be provided with a 2A fuse and a possibility to disconnect the mains.
- The OLC300S must be mounted in an IP65 classified housing.

Dimensions of housing



Note: all measurements are in mm

Wiring

The OLC400 Zhaga Wirepas is designed to support the 4 pins connector, Zhaga book 18 LEX-R with the following interface.

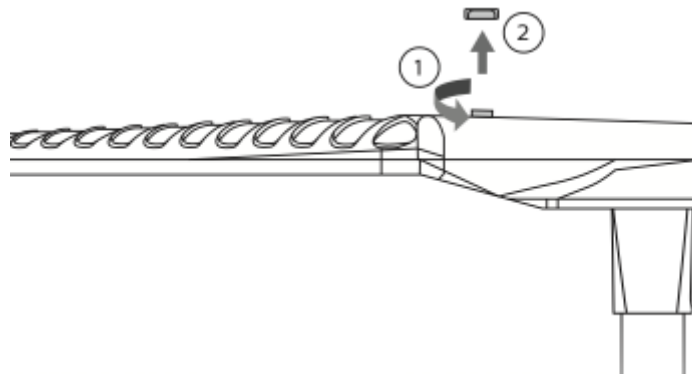
Contact	Assignment
1	+24V power supply
2	Negative pole for DALI protocol Ground for +24V power supply Ground for general digital Input signal
3	Positive pole for Dali protocol
4	Digital Input signal

Note Pin 4 is a digital input signal for max 40VDC. It is only available upon request.

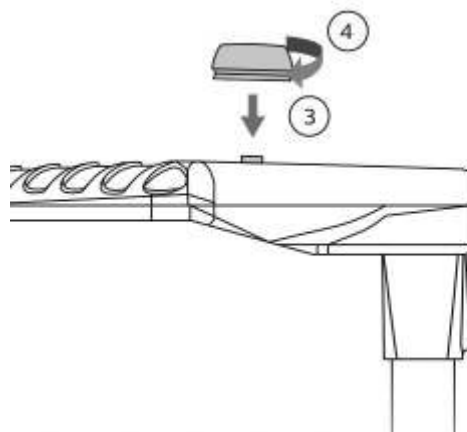
Pole Installation

The OLC400 Zhaga Wirepas is designed to fit on top of the luminaire with a Zhaga book 18 LEX-R connector. It will be very easy installed with the following steps,

1. Remove sealing cap from zhaga receptacle, first twist left and then move up.



2. Connect OLC400 Zhaga Wirepas to the connector and twist to lock in place



Note The OLC400 Zhaga Wirepas must be connected to a dimmable DALI driver, preferred D4I or SR compliant to function properly.

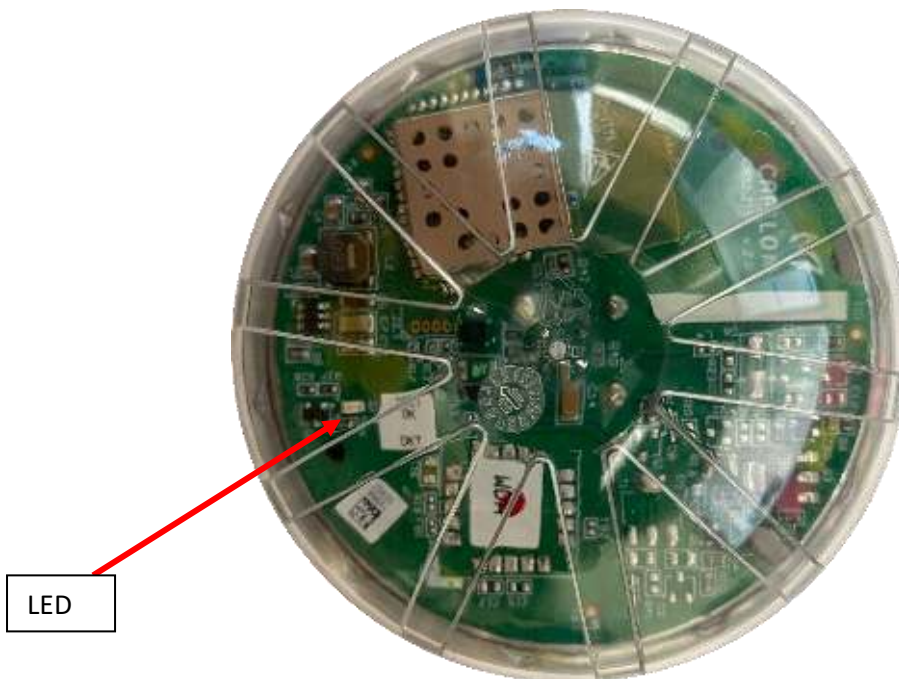
LED Status Indication:

Functionality is available from software version 0.7.14.1 which will be delivered from Januari 1st 2022

After powerup there will after around 15 seconds should be an indication of 0.5 sec ON and 5 sec OFF. It indicates that all is OK.

Flashing with 3 sec intervals means that no route to gateway or neighbor has been found. This state can be OK if there are no gateways or neighbors currently available.

A quick flashing of with 0.5 sec interval indicates that DALI initialization has failed. If this happens check DALI wiring in luminary or/and Driver configuration.



Compliance

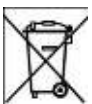


This product complies with the European directives and relevant standards for low voltage, EMC, RED, REACH and RoHS. The OLC400 Zhaga Wirepas contains a radio. The applied radio frequency is within the band 2.4Ghz

Hereby, Luminext declares that the radio equipment type OLC400 Zhaga Wirepas is compliant with Directive 2014/53/EU. The full text of the EU declaration of conformity is available at luminext.eu.

Repair

Do not open this product. In case of failure the OLC400 Zhaga Wirepas must be replaced.



Recycling

Do not dispose this product as household waste. Bring it to an appropriate collection point for recycling.