



## INSTALLATION INSTRUCTION: Luminext Outdoor Lamp Controller OLC154

The Luminext OLC154 is a product in the Luminext program for dynamic dimmable street lighting and is suitable for most EVSA's and LED drivers with DALI and 1-10V interface. The OLC154 communicates with the Segment Controller (SC1) over the existing electricity network via LonWorks® technology. The OLC's are therefore one of the most reliable controllers which uses open technology.

### Safety



- Installation and maintenance should be performed by qualified personnel only.
- Adhere strictly to this installation instruction to avoid danger and damage to the OLC154.
- Disconnect power at the source before installation, inspection or removal. The voltages at the primary and secondary side of the OLC154 are not touch proof.



- Do not use the OLC154 if it is damaged.
- The electrical installation must be in conformance with the national legislation and relevant standards.
- The mains connection of the OLC154 must be provided with a 2A fuse and a possibility to disconnect the mains.
- The OLC154 must be mounted in an IP65 classified housing.

### Application

Refer to the OLC154 data sheet (see [luminext.eu](http://luminext.eu)) for the maximum ratings of to be connected output power and the environmental conditions.

### Contact information: for more info please contact the product supplier

Luminext BV | Schoudermantel 37 | 3981 AE Bunnik | Nederland | +31(0)30 207 2017 | [support@luminext.eu](mailto:support@luminext.eu) | [www.luminext.eu](http://www.luminext.eu)

## Installation

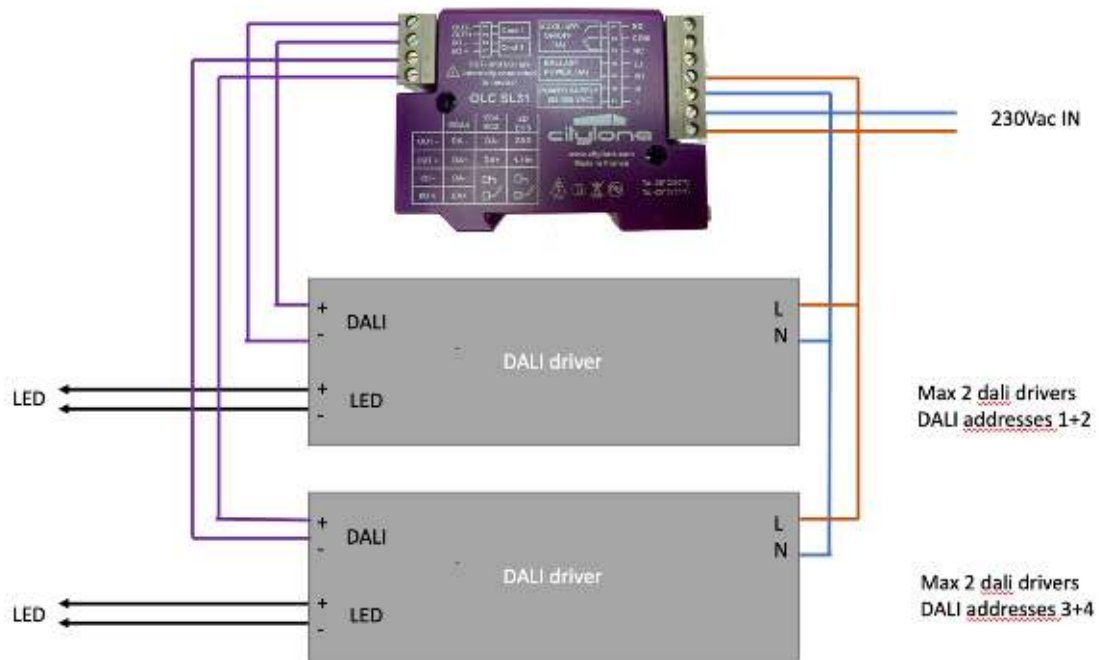
1. Check if the Driver is prepared for dimming and set correctly.
2. Disconnect the power to the fixture and read the safety instructions above
3. Check if the fixture and/or housing is suitable for mounting the OLC154: pay special attention to if the fixture is IP65 and if the driver is suitable.
4. Check the OLC: make sure the OLC154 is not damaged.
5. An extra barcode sticker is attached to the OLC154. Remove the barcode sticker and stick it clearly visible to the outside of the fixture. The installer will register this barcode information during the installation process.
6. There is a third sticker with barcode present. This should be attached at 50 cm from the bottom of the pole wire.
7. Mount the OLC154 sturdily to the fixture with double sided tape. In doubt please contact Luminext.
8. De OLC154 can be wired in several configurations: DALI driver or 1-10V driver. See wiring diagrams below. There can be two drivers connected on a single DALI port and individually controlled. The OLC154 has two dali ports available. DALI addresses must be set to short address 1 and 2 on port 1. And on port 2 to address 3 and 4, via IR remote control, or external DALI tool like Philips MultiOne.
9. When a SR-Driver or D4i driver is used you have to switch OFF the DALI PSU of the driver.
10. Use 1.0 mm<sup>2</sup> wiring for all connections. Push the wires completely into the terminal block. Use wire end sleeves when using flexible wires.
11. Connect a 230V AC power cable to the OLC according to the wiring schedule below (page 3).
12. Close the fixture. Take care that no wires of objects get in between the seals.
13. Connect the power cable to 230 V AC power and test the correct functioning of the fixture and OLC154. In case of malfunctioning check the wiring.
  - When connected to power the lamp will start burning. This might take up to 20 seconds.
  - Check with a test segment controller if the controls work correctly.

### Contact information: for more info please contact the product supplier

Luminext BV | Schoudermantel 37 | 3981 AE Bunnik | Nederland | +31(0)30 207 2017 | support@luminext.eu | www.luminext.eu

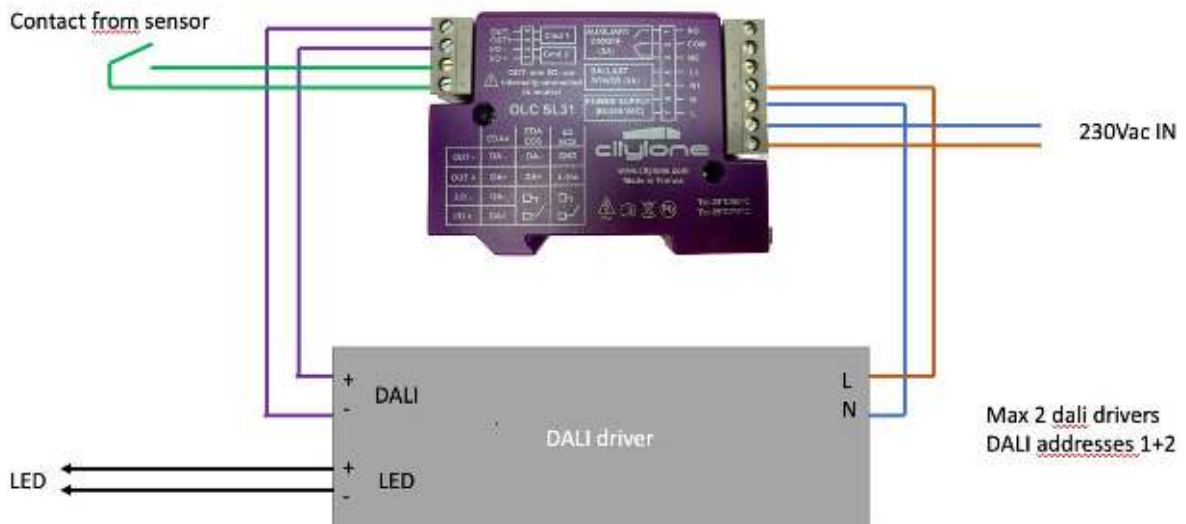
## Wiring diagrams

### OLC154 max 4 drivers devided over two dali ports:



Connect the power input of a DALI driver to the 230V output of the OLC154.

### OLC154-DI-D:

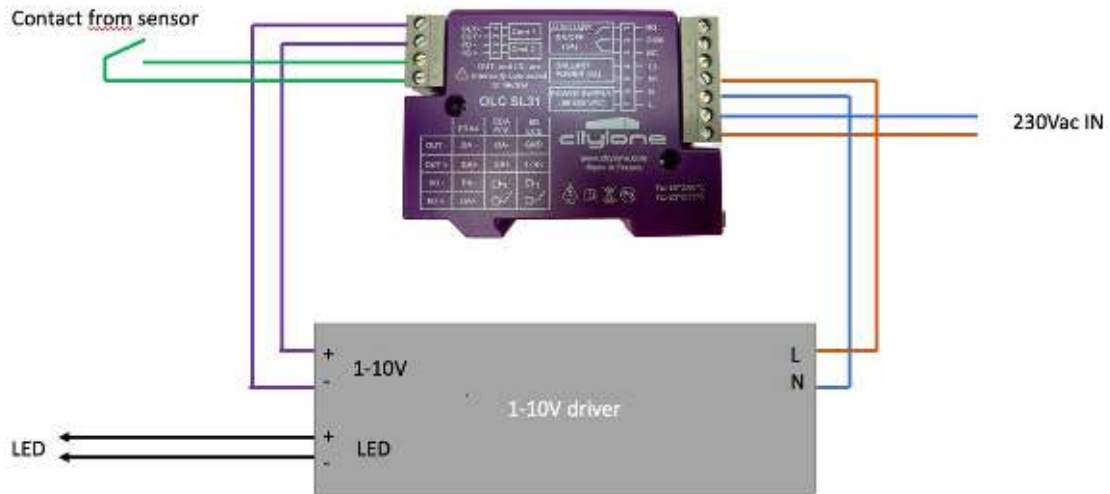


Connect the power input of a DALI driver to the 230V output of the OLC154. Contacts 3 and 4 can be used to connect a potential free contact from a motion sensor, PIR or Radar.

**Contact information: for more info please contact the product supplier**

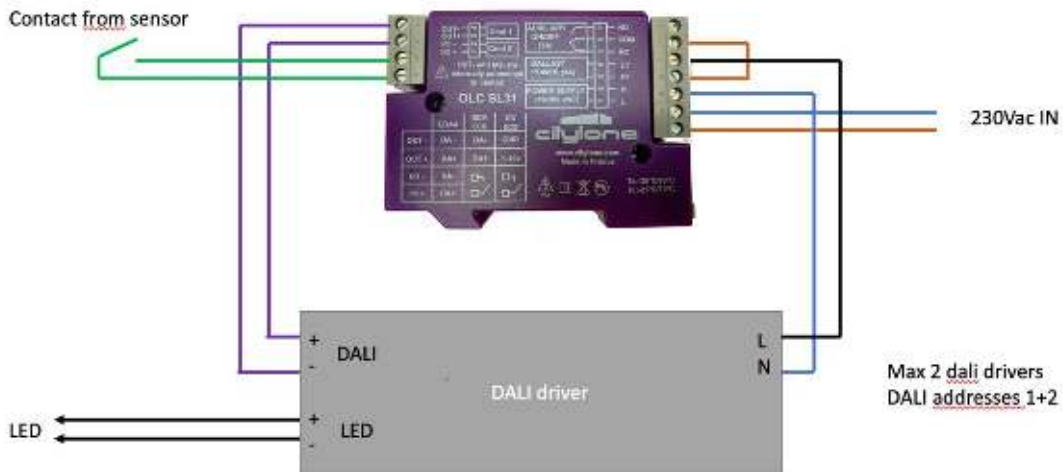
Luminext BV | Schoudermantel 37 | 3981 AE Bunnik | Nederland | +31(0)30 207 2017 | support@luminext.eu | www.luminext.eu

### OLC154-DI-A:



Connect the power input of a 1-10V driver to the 230V output of the OLC154. Contacts 3 and 4 can be used to connect a potential free contact from a motion sensor, PIR or Radar.

**General** if the power to the driver must be switched by the OLC, connect the power supply as drawn below.



**Contact information:** for more info please contact the product supplier

Luminext BV | Schoudermantel 37 | 3981 AE Bunnik | Nederland | +31(0)30 207 2017 | support@luminext.eu | www.luminext.eu

## Configuration

When the OLC154 is powered, the connected lamp should be on. Use the Luminizer management software for configuration of the OLC154.

## Usage

The OLC154 will control the connected driver and lamp.

## Compliance



This product complies with the European directives and relevant standards for 2006/95/CE low voltage, 2002/95/CE ROHS and 2004/108/CE EMC.

For the OLC154 product datasheet see [luminext.eu](http://luminext.eu)

## Repair

Do not open this product. In case of failure the OLC154 must be replaced.



## Recycling

Do not dispose this product as household waste, but bring it to an appropriate collection point for recycling.

## Contact information: for more info please contact the product supplier

Luminext BV | Schoudermantel 37 | 3981 AE Bunnik | Nederland | +31(0)30 207 2017 | [support@luminext.eu](mailto:support@luminext.eu) | [www.luminext.eu](http://www.luminext.eu)