



INSTALLATION INSTRUCTION: Luminext Outdoor Lamp Controller Mira

The Luminext Mira is a product in the Luminext program for dynamic dimmable street lighting and is suitable for most EVSA's and LED drivers with DALI and 1-10V interface. The Mira communicates with the Segment Controller (SC3) via RF communication.

Safety



- Installation and maintenance should be performed by qualified personnel only.
- Adhere strictly to this installation instruction to avoid danger and damage to the Mira.
- Disconnect power at the source before installation, inspection or removal. The voltages at the primary and secondary side of the Mira are not touch proof.



- Do not use the Mira if it is damaged.
- The electrical installation must be in conformance with the national legislation and relevant standards.
- The mains connection of the Mira must be provided with a 2A fuse and a possibility to disconnect the mains.
- The Mira must be mounted in an IP65 classified housing.

Application

Refer to the Mira data sheet (see luminext.eu) for the maximum ratings of to be connected output power and the environmental conditions.

Contact information: for more info please contact the product supplier

Luminext BV | Schoudermantel 37 | 3981 AE Bunnik | Nederland | +31(0)30 207 2017 | support@luminext.eu | www.luminext.eu

Installation

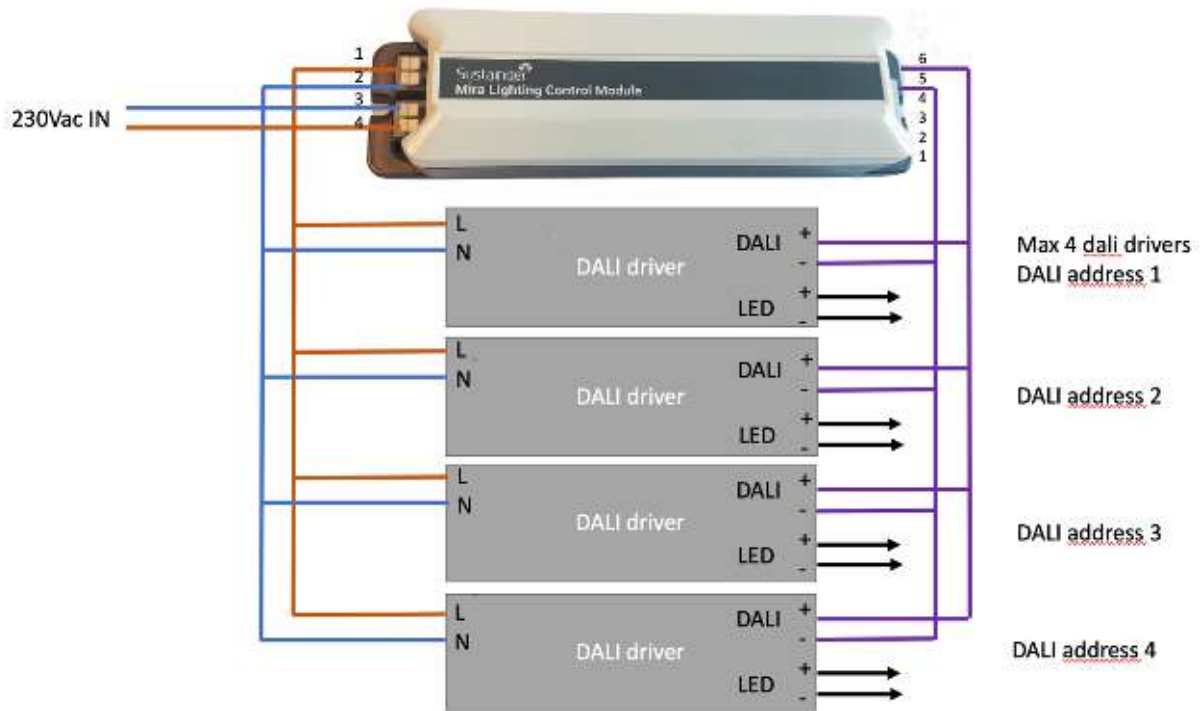
1. Check if the Driver is prepared for dimming and set correctly.
2. Disconnect the power to the fixture and read the safety instructions above
3. Check if the fixture and/or housing is suitable for mounting the Mira: pay special attention to if the fixture is IP65 and if the driver is suitable.
4. Check the OLC: make sure the Mira is not damaged.
5. An extra barcode sticker is attached to the Mira. Remove the barcode sticker and stick it clearly visible to the outside of the fixture. The installer will register this barcode information during the installation process.
6. There is a third sticker with barcode present. This should be attached at 50 cm from the bottom of the pole wire.
7. Mount the Mira sturdily to the fixture with double sided tape. In doubt please contact Luminext.
8. De Mira can be wired in several configurations: DALI driver or 1-10V driver via software adjustable by Luminext. See wiring diagrams below. There can be four drivers connected on a single DALI port and individually controlled. DALI addresses must be set to short address 1, 2, 3 and 4 via external DALI tool like Philips MultiOne.
9. When a SR-Driver or D4i driver is used you have to switch OFF the DALI PSU of the driver.
10. Use 1.0 mm² wiring for all connections. Push the wires completely into the terminal block. Use wire end sleeves when using flexible wires.
11. Connect a 230V AC power cable to the OLC according to the wiring schedule below (page 3).
12. Close the fixture. Take care that no wires or objects get in between the seals.
13. Connect the power cable to 230 V AC power and test the correct functioning of the fixture and Mira. In case of malfunctioning check the wiring.
 - When connected to power the lamp will start burning. This might take up to 20 seconds.
 - Check with a test segment controller if the controls work correctly.

Contact information: for more info please contact the product supplier

Luminext BV | Schoudermantel 37 | 3981 AE Bunnik | Nederland | +31(0)30 207 2017 | support@luminext.eu | www.luminext.eu

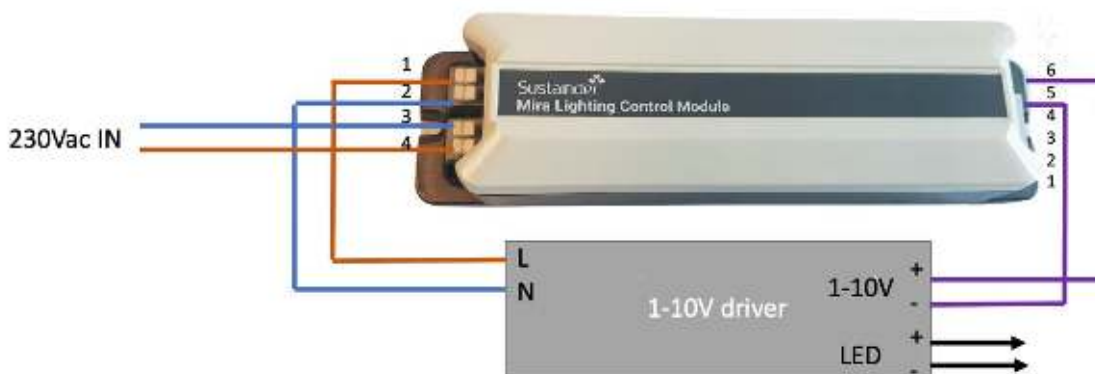
Wiring diagrams

Mira Dali (D2110) max 4 drivers on dali port:



Connect the power input of a DALI driver to the 230V output of the Mira.

Mira 1-10V (A2110):



Connect the power input of a 1-10V driver to the 230V output of the Mira.

Mira sensor input

Contact information: for more info please contact the product supplier

Luminext BV | Schoudermantel 37 | 3981 AE Bunnik | Nederland | +31(0)30 207 2017 | support@luminext.eu | www.luminext.eu



Contacts 3 and 4 can be used to connect a potential free contact from a motion sensor, PIR or Radar.

Via contacts 1 en 2 a 12Vdc power supply is available.

Configuration

When the Mira is powered, the connected lamp should be on. Use the Luminizer management software for configuration of the Mira.

Usage

The Mira will control the connected driver and lamp.

Compliance

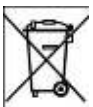


This product complies with the European directives and relevant standards for 2006/95/CE low voltage, 2002/95/CE ROHS and 2004/108/CE EMC.

For the Mira product datasheet see luminext.eu

Repair

Do not open this product. In case of failure the Mira must be replaced.



Recycling

Do not dispose this product as household waste, but bring it to an appropriate collection point for recycling.

Contact information: for more info please contact the product supplier

Luminext BV | Schoudermantel 37 | 3981 AE Bunnik | Nederland | +31(0)30 207 2017 | support@luminext.eu | www.luminext.eu